

LEGEND

THE LIGHT FITTING SUPPLIER CONTACT DETAILS MAY BE AVAILABLE ON THE EDG WEBSITE VIA THE FOLLOWING LINK www.edg.net.au/Links/Lighting.htm

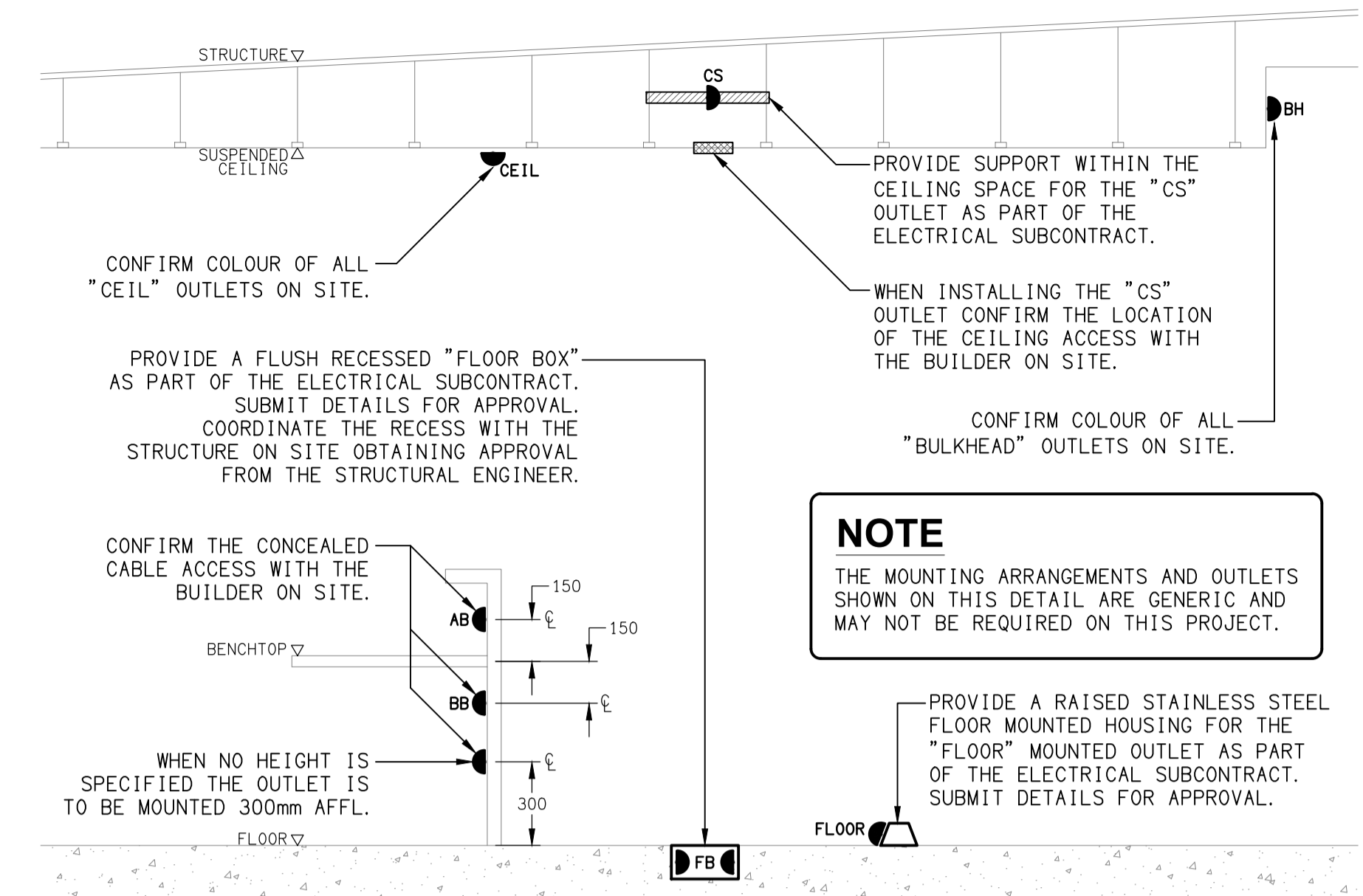
TYPE	LAMPS	DESCRIPTION	COLOUR / ACCESSORY	CATALOGUE No
C	4.4W 3000K LED	RECESSED 30 DIA DOWNLIGHT C/W REMOTE DRIVER	DULUX RAL 9006 SILVER	FITTINGS TO BE PROVIDED AS PER THE NISSAN CONCEPT DESIGN BOOKLET.
H	37W 3000K LED	MAYNE PENDANT	DULUX RAL 9006 SILVER	
G	3000K LED	COVE LIGHT LED STRIP IN A ALUMINIUM EXTRUSION C/W OPAL DIFFUSER. MOUNT AS PER THE ARCHITECTURAL COVE DETAIL. REMOTE DRIVER	NATURAL	
D	30W 4000K LED	RECESSED 186 DIA ADJUSTABLE DOWNLIGHT C/W REMOTE DRIVER	DULUX P-6 CHARCOAL GREY	
ELS	4000K LED	ROD SUSPENDED LINEAR EXTRUSION C/W OPAL DIFFUSER DOWNWARD ONLY	DULUX P-1 LIGHT GREY	
E1	LED	EMERGENCY LIGHT: RECESSED NON-MAINTAINED EMERGENCY LIGHT C/W REMOTE BATTERY PACK	WHITE	STANLITE SF2LED
EX	LED	EXIT LIGHT SURFACE MOUNTED; MAINTAINED 24M VIEWING DISTANCE EXIT LIGHT C/W DIFFUSERS & DIRECTIONAL ARROWS AS SHOWN. MOUNT BETWEEN 2100mm & 2700mm AFFL IF THERE IS NO VERTICAL SURFACE TO MOUNT THE FITTING ON WITHIN THIS RANGE CONFIRM THE MOUNTING HEIGHT WITH THE ENGINEER.	WHITE	STANLITE PLQLED
L1	L1	TAKE POSSESSION OF THE EXISTING RECESSED LED DOWNLIGHTS FROM THE CLIENT AND INSTALL AS THE L1 FITTINGS.		
L2	L2	RECESSED ADJUSTABLE 55DEG DOWNLIGHT C/W REMOTE DRIVER.	WHITE	EQUAL TO GAMMA ILLUMINATION SCOOP 1290-VWFL-4K-22W
L3	L3	RECESSED ADJUSTABLE 55DEG DOWNLIGHT C/W REMOTE DRIVER.	WHITE	EQUAL TO GAMMA ILLUMINATION SCOOP 1290-VWFL-4K-22W
L4	L4	RECESSED 35DEG DOWNLIGHT C/W REMOTE DRIVER.	WHITE	EQUAL TO GAMMA ILLUMINATION COBALT 1405-4K-28W
L5	L5	RECESSED 53DEG DOWNLIGHT C/W REMOTE DRIVER.	WHITE	EQUAL TO GAMMA ILLUMINATION COBALT 1403-4K-28W
SP1	SP1	SWITCH PANEL AS PER THE SP1 SCHEMATIC MOUNTED AT 1000mm AFFL UNLESS NOTED OTHERWISE. THE SP1 LOCATION IS TO BE CONFIRMED ON SITE BY THE CLIENT.	WHITE	CLIPSAL
ONE-WAY LIGHT SWITCH	ONE-WAY LIGHT SWITCH	ONE-WAY LIGHT SWITCH C/W CIRCUIT IDENTIFICATION ON THE FACEPLATE BEHIND THE SURROUND MOUNTED AT 1000mm AFFL UNLESS NOTED OTHERWISE. UTILISE ARCHITRAVE FACEPLATES WERE NECESSARY.	WHITE	CLIPSAL "C2000 SERIES" 30FLM15
SINGLE POWER OUTLET	SINGLE POWER OUTLET	SINGLE POWER OUTLET C/W CIRCUIT IDENTIFICATION ON THE FACEPLATE BEHIND THE SURROUND MOUNT AT 300mm AFFL U.N.O.	WHITE	CLIPSAL "C2000 SERIES"
DOUBLE POWER OUTLET	DOUBLE POWER OUTLET	DOUBLE POWER OUTLET C/W CIRCUIT IDENTIFICATION ON THE FACEPLATE BEHIND THE SURROUND MOUNT AT 300mm AFFL U.N.O.	WHITE	CLIPSAL "C2000 SERIES"
DOUBLE POWER OUTLET	DOUBLE POWER OUTLET	DOUBLE POWER OUTLET C/W DUAL USB A CHARGING PORTS AND CIRCUIT IDENTIFICATION ON THE FACEPLATE BEHIND THE SURROUND	WHITE	CLIPSAL "C2000 SERIES"
MSB DB-1	MSB / DB-1	EXISTING MAIN SWITCHBOARD INCORPORATING DISTRIBUTION BOARD DB-1. ALL REDUNDANT SWITCHGEAR IS TO BE REMOVED INCLUDING THE DB-2 SUPPLY. UTILISE THE EXISTING SPARE SHOWROOM AC 100 AMP MCCB TO SUPPLY DB-3. UPDATE THE SCHEDULE AND LABELS PRIOR TO PRACTICAL COMPLETION.		
DB-3	DB-3	NEW DISTRIBUTION BOARD DN-3. REFER TO THE DB-3 SCHEDULE. ALL REDUNDANT SWITCHGEAR IS TO BE REMOVED. ALL NEW SWITCHGEAR IS TO MATCH THE EXISTING IN MANUFACTURER AND TYPE. UPDATE THE SCHEDULE PRIOR TO PRACTICAL COMPLETION.		
SINGLE-PHASE ISOLATOR	SINGLE-PHASE ISOLATOR	SINGLE-PHASE WEATHERPROOF ISOLATOR. MOUNT AT 1350mm AFFL U.N.O. RATING 20A U.N.O. CONNECT TO EQUIPMENT VIA FLEXIBLE CONDUIT.		CLIPSAL WHT20
SIGNAGE CONNECTION	SIGNAGE CONNECTION	COORDINATE THE LOCATION AND CONNECTION WITH THE SIGN CONTRACTOR ENSURING THE POWER OUTLET / ISOLATOR ARE PROVIDED WITH APPROPRIATE WEATHER PROTECTION AND ARE CONCEALED FROM VIEW.		
CS-A	CS-A	PROVIDE THE CS-A OUTLET AS A 10 AMP PLUG BASE CONCEALED WITHIN THE CEILING SPACE TO BE USED TO SUPPLY THE SUSPENDED CEILING LIGHTS.		
FLOOR BOX 1 (FB1)	FLOOR BOX 1 (FB1)	FLUSH RECESSED FLOOR BOX C/W TRAFFICABLE LID TWO DOUBLE GPOS AND FOUR COMMUNICATIONS OUTLETS.	STAINLESS STEEL	ELECTRIC CABLE DUCT SYSTEMS FB149HD
COMMUNICATIONS OUTLET	COMMUNICATIONS OUTLET	RJ45 CAT-6 COMMUNICATIONS OUTLET, CABLED BACK TO THE EXISTING COMMUNICATIONS RACK CR-A. VIA 4-PAIR CAT-6 UTP CABLE. MOUNT UP TO 3 RJ45 OUTLETS PER MULTI-GANG FACEPLATE WITH SEPARATE PERMANENT LABELLING FOR EACH OUTLET. MOUNT AT 300MM AFFL UNLESS NOTED OTHERWISE	WHITE	CLIPSAL "C2000 SERIES"
CR-A	CR-A	EXISTING COMMUNICATIONS RACK TO BE UPGRADED WITH ADDITIONAL PATCH PANELS AS NECESSARY TO ACCOMMODATE THE NEW COMMUNICATIONS OUTLETS. REMOVE ALL EXISTING REDUNDANT CABLEING AND UPDATE THE PORT LABELS TO REFLECT THE FINAL INSTALLATION.		
CR-B	CR-B	EXISTING COMMUNICATIONS RACK TO REMAIN AS IS.		
SPEAKER	SPEAKER	NISSAN RADIO RECESSED SPEAKER TO BE CABLED TO A NEW AMPLIFIER LOCATED IN CR-A. PROVIDE THE SPEAKERS AND AMPLIFIER AS PER THE NISSAN CONCEPT DESIGN BOOKLET.		

NOTE

ALL ELECTRICAL PENETRATIONS THROUGH THE ROOF SHEETING ARE TO BE IN LINE WITH THE STRUCTURAL OR MECHANICAL SERVICES PENETRATIONS TO AVOID DEDICATED FLASHINGS FOR THE ELECTRICAL SERVICES.

DB-3 DISTRIBUTION BOARD SCHEDULE

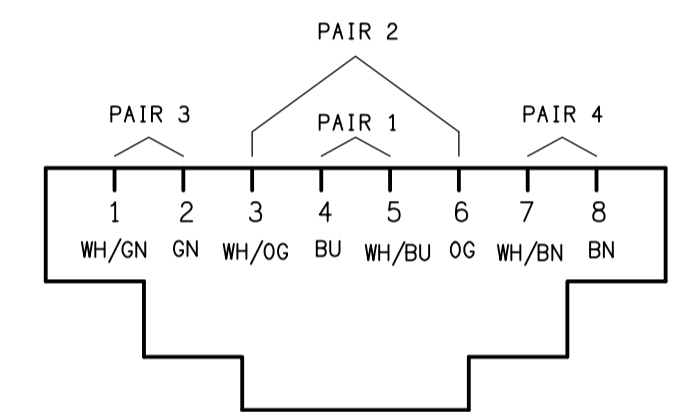
CIRC	PH	CIRCUIT BREAKER (amps)	CONTROL EQUIPMENT	CABLE SIZE (mm2)	LOCATION	CIRCUIT USE
FAULT CURRENT:		6kA		MAIN SWITCH:		160A NON AUTO LOAD BREAK
CHASSIS SIZE:		60 POLES		SUPPLIED FROM:		MSSB
CHASSIS RATING:		250A		SUPPLY CABLE:		4C 25
PHASES:		3				
PROVIDE THE DB WITH A FULL WIDTH EMPTY DIN RAIL TO ACCOMMODATE FUTURE CONTACTORS AND CONTROLS. PROVIDE THE DB WITH AN AS2293 EMERGENCY LIGHTING CONTROL SYSTEM TO CONTROL THE ASSOCIATED TENANCY EMERGENCY LIGHTS. IN ADDITION TO THE CIRCUITS BELOW PROVIDE ALL NEW AS3000 COMPLIANT SWITCHGEAR TO SUPPLY ANY OF THE EXISTING CIRCUITS SUPPLIED FROM DB-2 THAT REMAIN.						
P1	1	20	RCBO	2.5	RECEPTION	GPOs
P2	1	20	RCBO	2.5	NISSAN	CLEANING
P3	1	20	RCBO	2.5	NISSAN	TV
P4	1	20	RCBO	2.5	NISSAN	SALES DESKS
P5	1	20	RCBO	2.5	NISSAN	CUSTOMER
P6	1	20	RCBO	2.5	NISSAN	OFFICE
P7	1	20	RCBO	2.5	CHERY SALES	GPOs
P8	1	20	RCBO	2.5	CHERY SALES	SALES DESKS
P9	1	20	RCBO	2.5	CUSTOMER KIT	GPOs
P10	1	20	RCBO	2.5	CUSTOMER KIT	AUTO BOILER
P11	3	40	RCBO	6.0	CUSTOMER KIT	HWS
P12	1	20	RCBO	2.5	CUSTOMER KIT	REF
P13	1	20	RCBO	2.5	ROOF	AC 1
P14	3	32	RCBO	6.0	ROOF	AC 2
P15	1	20	RCBO	2.5	ROOF	AC 3
L1	1	20	RCBO PE CELL ON DUSK OFF DAWN	2.5	EXTERNAL	CHERY SIGNAGE
L2	1	20	RCBO	2.5	NISSAN	LIGHTING
L3	1	20	RCBO PE CELL ON DUSK OFF DAWN	2.5	EXTERNAL	NISSAN SIGNAGE
L4	1	20	RCBO PE CELL ON DUSK OFF DAWN	2.5	EXTERNAL	NISSAN SIGNAGE
L5	1	20	RCBO	2.5	OFFICES	LIGHTING
L6	1	20	RCBO	2.5	PARTS	LIGHTING
L7	1	20	RCBO	2.5	PARTS	LIGHTING
L8	1	20	RCBO	2.5	CHERY	LIGHTING
L9	1	20	RCBO	2.5	CHERY	LIGHTING
L10	1	20	RCBO	2.5	CHERY	CS FEATURE
L11	1	20	RCBO	2.5	NISSAN	LIGHTING
L12	1	20	RCBO	2.5	NISSAN	LIGHTING
L13	1	20	RCBO	2.5	NISSAN	LIGHTING



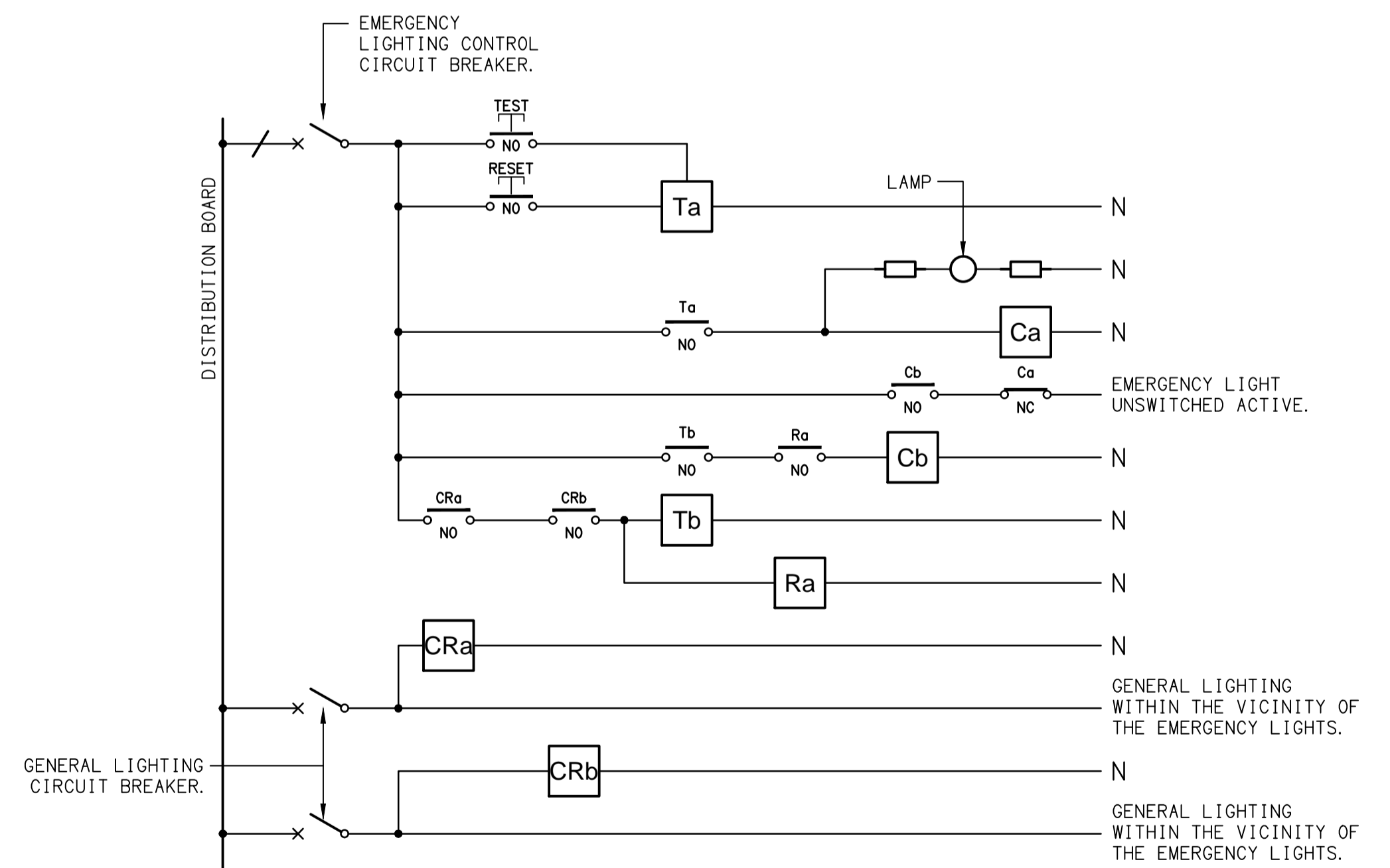
DETAIL TYPICAL OUTLET MOUNTINGS NOT TO SCALE

EQUIPMENT:

- TEST - TEST PUSH BUTTON MOUNTED ON THE DISTRIBUTION BOARD ESCUTCHEON.
- RESET - RESET PUSH BUTTON MOUNTED ON THE DISTRIBUTION BOARD ESCUTCHEON.
- LAMP - AMBER TEST INDICATING LAMP MOUNTED ON THE DISTRIBUTION BOARD ESCUTCHEON.
- Ta - ADJUSTABLE 0-3 HOUR TIMED RELAY.
- Tb - 15 MINUTE RUN-ON TIMER TO OPERATE UPON THE RETURN OF MAINS POWER.
- Cx - CONTACTOR x.
- CRx - CONTROL RELAY x.
- Rx - RELAY x.



SCHEMATIC RJ45 PINOUT CONFIGURATION NOT TO SCALE



SCHEMATIC EMERGENCY LIGHTING NOT TO SCALE

NOTES

- THE EMERGENCY LIGHT UNSWITCHED ACTIVE / GENERAL LIGHTING SWITCHED ACTIVE CIRCUIT ARRANGEMENT AND CONTROL IS TYPICAL FOR ALL CIRCUITS SUPPLYING EMERGENCY LIGHTS.
- PROVIDE ADDITIONAL CONTROL RELAYS (CRx) CONFIGURED AS PER CRa AND CRb FOR ALL ADDITIONAL LIGHTING CIRCUITS THAT SUPPLY LIGHTS IN THE VICINITY OF THE EMERGENCY LIGHTS.